

Findlater Construction Waste Water Systems

FINDLATER 5000L Septic Tank

CONSTRUCTION Orenco ProPak Pump Vault Details

Drawn By:
Harry Taylor

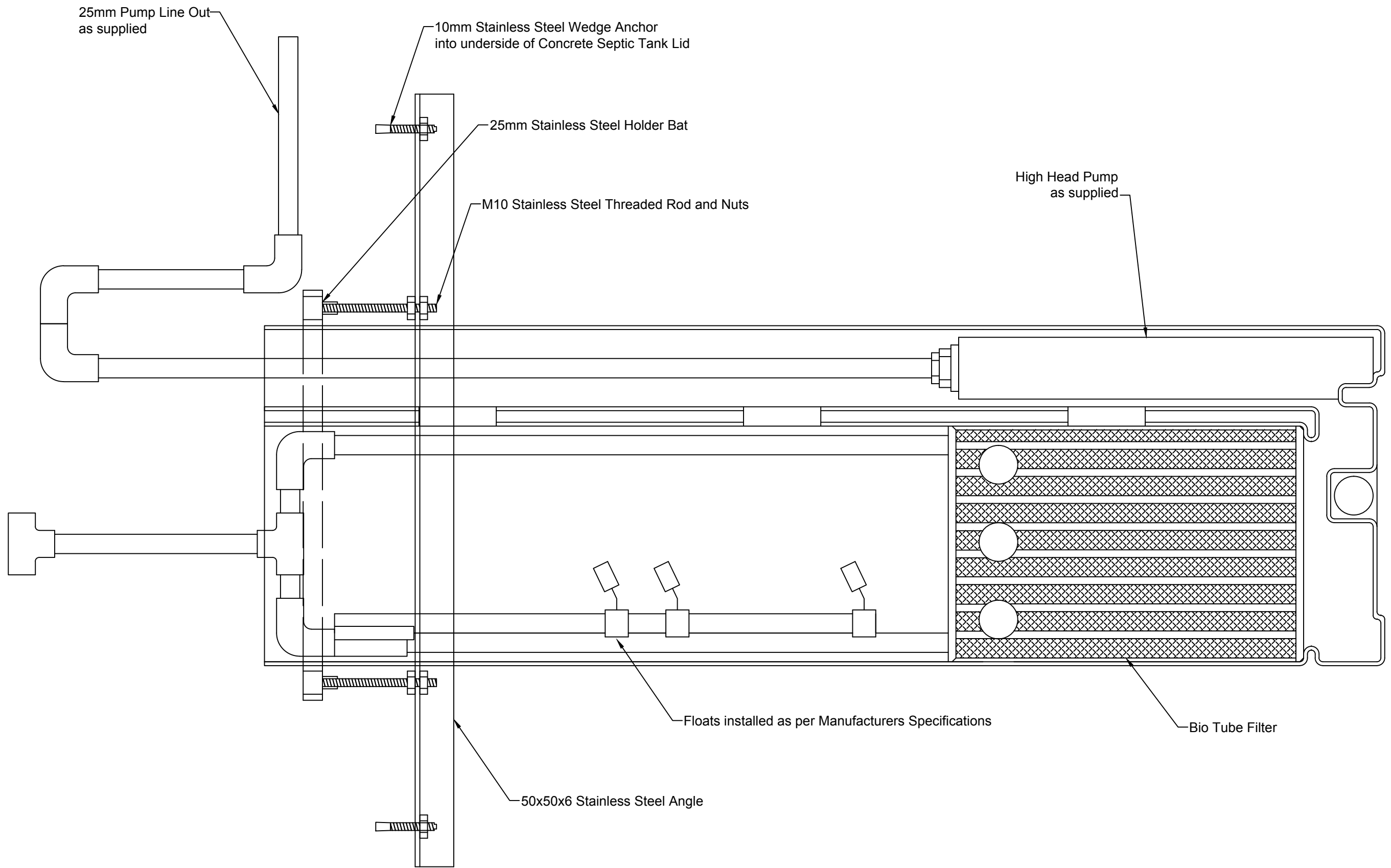
Date:
20/05/2019

Approved By:
Ron Findlater

Date:

Contact: Ph 03) 579 2284
office@findlaterconstruction.co.nz

Sheet No.
01



Findlater Construction Waste Water Systems		Drawn By: Harry Taylor	Date: 20/05/2019
FINDLATER CONSTRUCTION	5000L Septic Tank		Approved By: Ron Findlater
	Orenco ProPak Pump Vault Details		Date:
		Contact: Ph 03) 579 2284 office@findlaterconstruction.co.nz	Sheet No. 01